



Micro Commercial Components

Micro Commercial Components  
 20736 Marilla Street Chatsworth  
 CA 91311  
 Phone: (818) 701-4933  
 Fax: (818) 701-4939

# BAT42W THRU BAT43W

**200mW  
Schottky Diodes  
30 Volts**

## Features

- For General Purpose applications
- These diodes are also available in the DO-35 case with the type designations BAT42 to BAT43 and in the MiniMELF case with the type designations LL42 to LL43.
- Lead Free Finish/RoHS Compliant("P" Suffix designates RoHS Compliant. See ordering information)

## Mechanical Data

- Case Material: Molded Plastic. UL Flammability Classification Rating 94V-0 and MSL Rating 1
- Marking code: BAT42W=S7 ,L2  
BAT43W=S8 ,L3

## Maximum Ratings

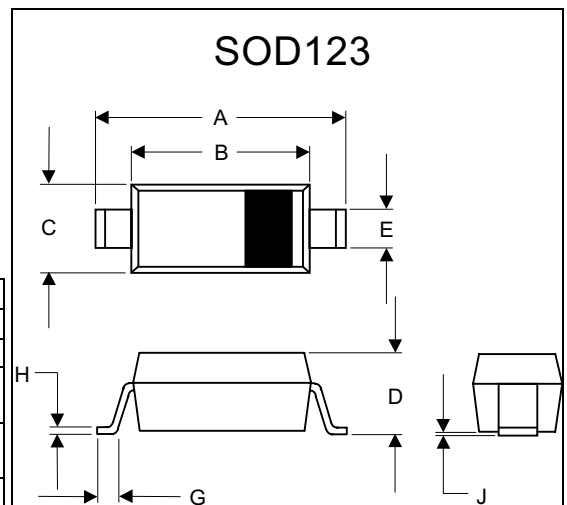
Symbol	Rating	Rating	Unit
V <sub>RRM</sub>	Repetitive Peak Reverse Voltage	30	V
I <sub>F</sub>	Forward DC Current at Tamb=25°C	200	mA
I <sub>FRM</sub>	Repetitive Peak Forward Current at tp<1s, Tamb=25°C <sup>(1)</sup>	500	mA
I <sub>FSM</sub>	Surge Forward Current at tp<10ms, Tj=25°C <sup>(1)</sup>	4.0	A
P <sub>tot</sub>	Power Dissipation at Tamb=65°C <sup>(1)</sup>	200	mW
R <sub>JA</sub>	Thermal Resistance Junction to Ambient Air <sup>(1)</sup>	300	°C/W
T <sub>J</sub>	Junction Temperature	-55 to +125	°C
T <sub>STG</sub>	Storage Temperature	-55 to +150	°C

## Electrical Characteristics @ 25°C Unless Otherwise Specified

Symbol	Parameter	Min	Typ	Max	Units
V <sub>(BR)R</sub>	Reverse Breakdown Voltage (I <sub>R</sub> =100uAdc Pulsed)	30	---	---	V
V <sub>F</sub>	Forward Voltage <sup>(2)</sup> I <sub>F</sub> =200mAdc	---	---	1.0	V
	I <sub>F</sub> =10mAdc	---	---	0.4	
	I <sub>F</sub> =50mAdc	---	---	0.65	
	I <sub>F</sub> =2.0mAdc	0.26	---	0.33	
I <sub>R</sub>	Leakage Current <sup>(2)</sup> (V <sub>R</sub> =25Vdc) (V <sub>R</sub> =25Vdc, T <sub>J</sub> =100°C)	---	---	0.5	uA
		---	---	100	
C <sub>tot</sub>	Capacitance (V <sub>R</sub> =1.0, f=1.0MHz)	---	7.0	---	pF
t <sub>rr</sub>	Reverse Recovery Time (I <sub>F</sub> =10mA, I <sub>R</sub> =10mA) (I <sub>rr</sub> =1.0mA, R <sub>f</sub> =100OHM)	---	---	5.0	ns

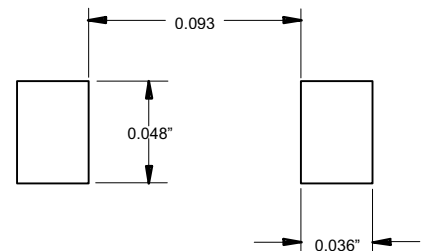
Notes:

1. Valid provided that electrodes are kept at ambient temperature
2. Pulse Test tp<300us, Duty Cycle<2%



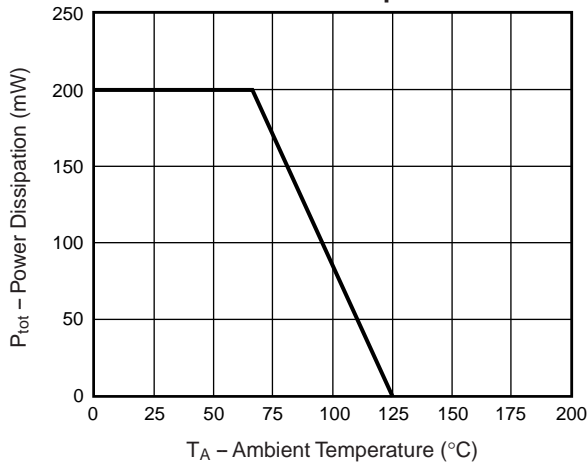
DIM	INCHES		MM		NOTE
	MIN	MAX	MIN	MAX	
A	.140	.152	3.55	3.85	
B	.100	.112	2.55	2.85	
C	.055	.071	1.40	1.80	
D	-----	.053	-----	1.35	
E	.012	.031	0.30	.78	
G	.006	-----	0.15	-----	
H	-----	.01	-----	.25	
J	-----	.006	-----	.15	

### SUGGESTED SOLDER PAD LAYOUT

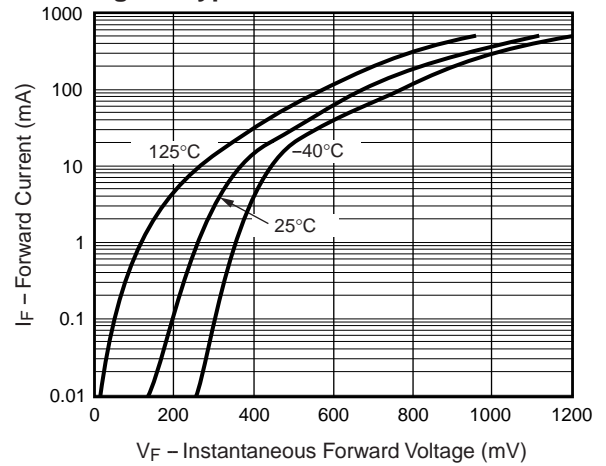


# BAT42W thru BAT43W

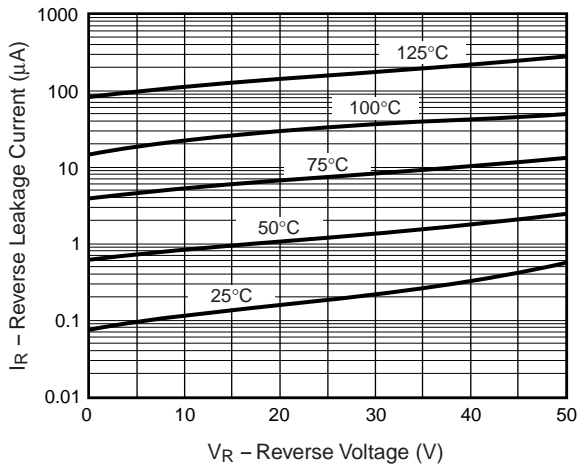
**Fig. 1 – Admissible Power Dissipation vs. Ambient Temperature**



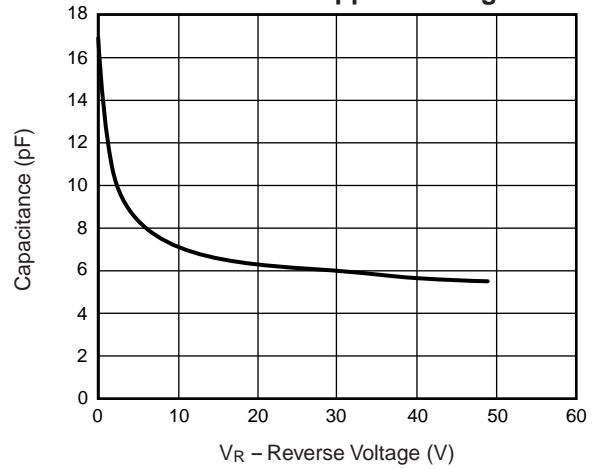
**Fig. 2 – Typical Reverse Characteristics**



**Fig. 3 – Typical Reverse Characteristics**



**Fig. 4 – Typical Capacitance vs. Reverse Applied Voltage**





Micro Commercial Components

## Ordering Information

Device	Packing
(Part Number)-TP	Tape&Reel;3Kpcs/Reel

**\*\*\*IMPORTANT NOTICE\*\*\***

*Micro Commercial Components Corp.* reserves the right to make changes without further notice to any product herein to make corrections, modifications, enhancements, improvements, or other changes. *Micro Commercial Components Corp.* does not assume any liability arising out of the application or use of any product described herein; neither does it convey any license under its patent rights, nor the rights of others. The user of products in such applications shall assume all risks of such use and will agree to hold *Micro Commercial Components Corp.* and all the companies whose products are represented on our website, harmless against all damages.

**\*\*\*APPLICATIONS DISCLAIMER\*\*\***

Products offer by *Micro Commercial Components Corp.* are not intended for use in Medical, Aerospace or Military Applications.